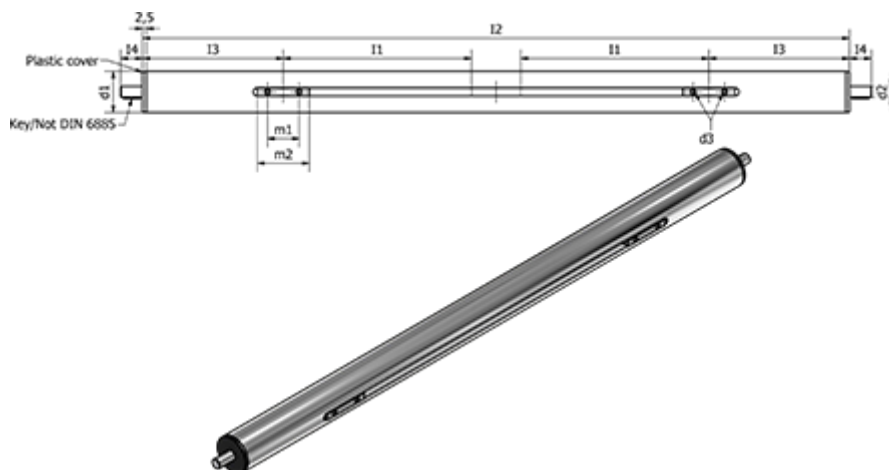


Article number: 2029340170RL2SCR

Description: E+G Linear actuators - GN 293-40-170-RL2-SCR

Measures



d_1	= 40	m_2	= 54
d_2 f7	= 12	Max. travel	= 753
d_3	= M5	Shaft key DIN 6885	= A4x4x12
l_1	= 170	Shaft thread	= TR20x4
l_2	= $2 \times l_1 + 299$		
l_3	= 117.5		
l_4	= 17		
m_1	= 42		